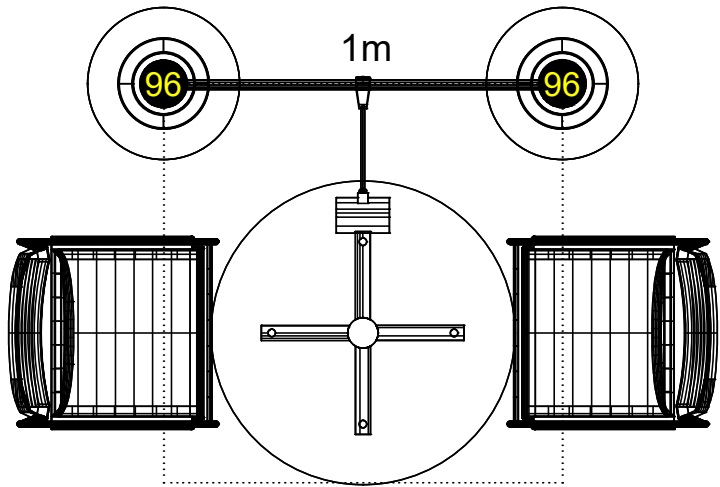


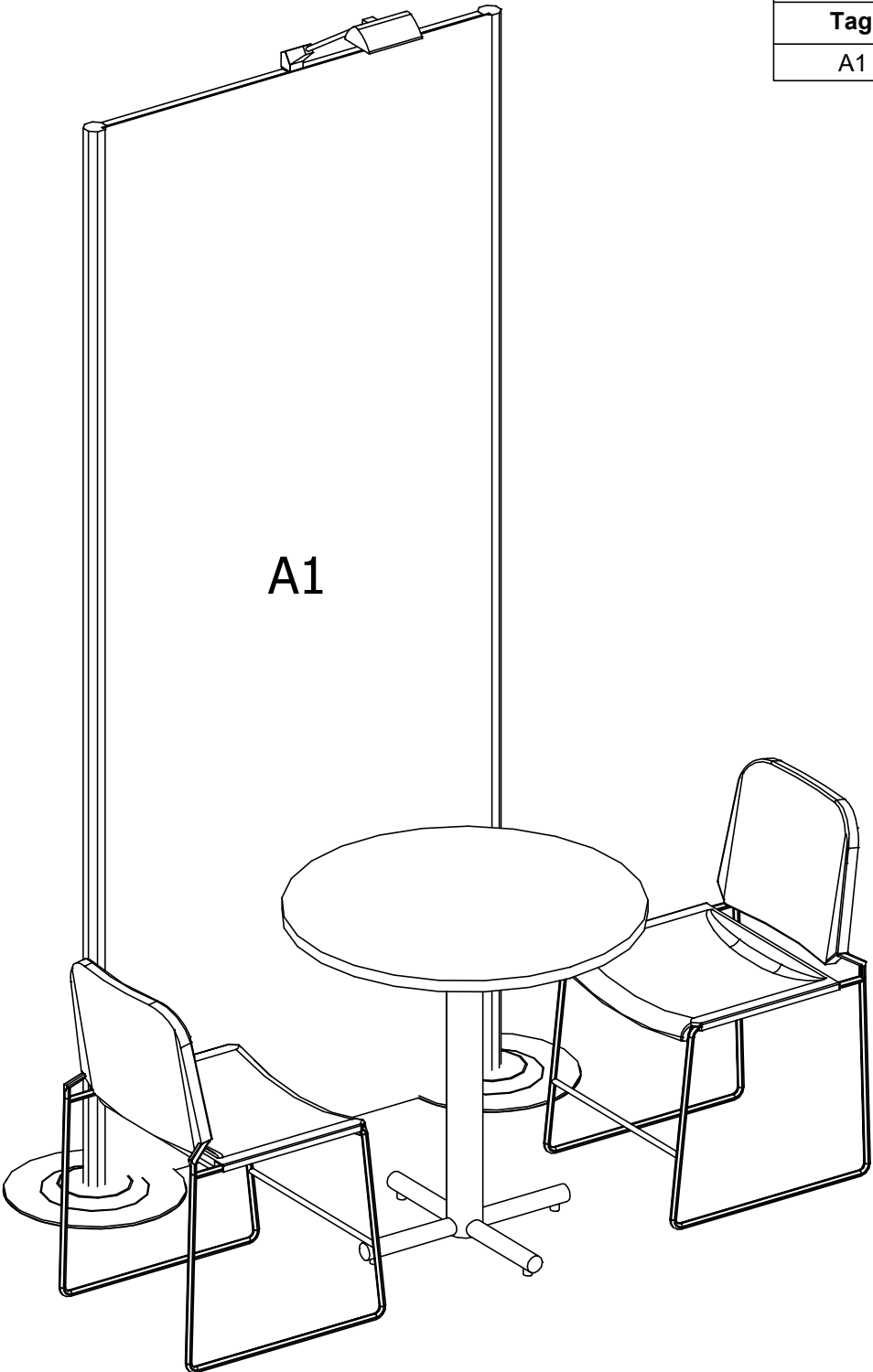
Graphic Panel Sizes			
Tag	Width	Height	Notes
A1	38.5625"	96"	surface mount into 45

**Silver Metal
Graphic Panels**

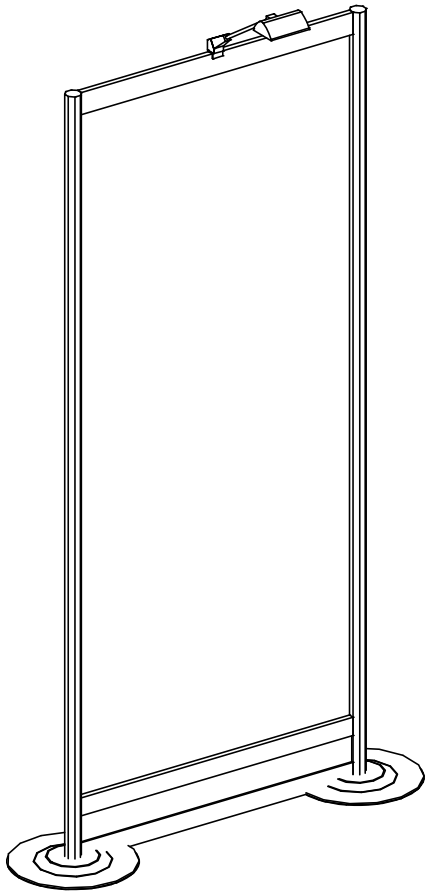
15X



PLAN VIEW



3D VIEW



METAL VIEW

GEM PART LEGEND						
P80	P60	P50	P40	P30	H200	H70
						FH452



CLIENT: **SM001 - PODS**
 SHOW: ICEF NORTH AMERICA
 FACILITY: NIAGARA FALLS CONVENTION CENTRE
 CITY/PROV: NIAGARA FALLS, ON
 FILE NAME: SharePointSM001_Pods_ICEF 2024_v1.dwg

SHOW DATE: APRIL 30 - MAY 3, 2024
 JOB #: 66258
 BOOTH NO: ----
 BOOTH SIZE: ----

TITLE: - OVERALL
 SCALE: AS NOTED
 DRAWING DATE: MARCH 7, 2024
 DRAWN BY: EVANS, NICK
 REQUESTOR: MOLINA, FABIANA

SHEET #: 01 OF 01

EXTRA INFORMATION
 NOTES:

Copyright © 2024 by GES Global Experience Specialist. All rights Reserved. No Part of this document may be reproduced, stored in any retrieval system, or transmitted in any form or by any means - electronic, mechanical, photocopying, recording or otherwise - without the express written consent of GES Global Experience Specialist.